


PH Digy planetary mixers

From 20 to 80 liters

Powerful and accurate production of:

- Viennese pastries and speciality breads
- Short and sweet pastries
- Biscuits, genoise and meringue



- **Intuitive touch control panel** 
 - ✓ recipe programming
 - ✓ 5 programmed speeds + speed variation

- **Assisted bowl lifting and lowering**

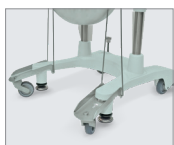
- **Protection of the mixing area**

- ✓ rotary stainless steel grid
- ✓ built-in stainless steel spout
- ✓ removable transparent protective screen

- **Flush-mounted satellite without retention areas** for easier cleaning



- **Optional extras**



Transport wheel kit



Bowl trolley



Bowl scraper



For more information:



Video



Ergonomic equipment



Commercial documentation



Examples of recipes



Contents

Planetary mixer PH 812 Digy

General Features



- 80 L stainless steel bowl + 1 tool: whip
- Patented, stainless steel safety grid removed with a simple pressure, with builtin chute
- Removable protective screen
- Columns made of stainless chromium steel
- Column supports, head and cradle made of aluminium
- Digy touch control panel
- Save up to 100 recipes, with 20 phases each
- 2 feet on wheels at the back
- Bowl lighting
- 380/400 V three phases + Earth - 50/60 Hz (any other specific voltage available and free of charge providing that it is technically possible)
- IP 54

Whip: liquid mixes or aeration with an 80 L bowl | **Paddle:** liquid, pasty mixes or aeration with bowls from 20 to 60 L



PH 812 DIGY

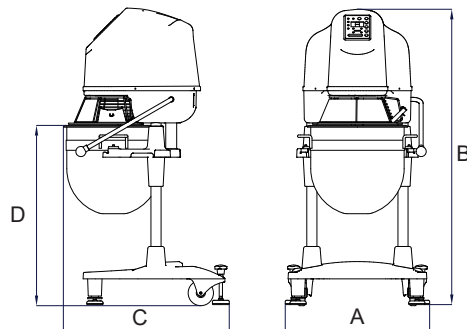
Code: B5018104

- Programmable mixing speed
- Programmable mixing duration
- Power: 3 kW
- Intensity: 10 A

Optional extras

B02282012	Extra 80 L stainless steel bowl
B0205610	60 L stainless steel bowl + 3 tools
B022875E4	Paddle for 60 L bowl
B02282011	Extra 60 L stainless steel bowl
B0205411	40 L stainless steel bowl + 3 tools
B02281512	Extra 40 L stainless steel bowl
B0205211	20 L stainless steel bowl + 3 tools
B02281306	Extra 20 L stainless steel bowl
B065956E1	Bowl trolley
B02079402	Electric heating
B043647E20	Scraper 60/80 *
B043647E21	Scraper 40/80 *
B10810467	Set of 2 transport wheels

* Option available after the purchase of the planetary mixer



	PH 812 DIGY
Weight (kg)	240
Dimensions (mm)	
Width (A)	715
Height closed (B)	1460
Depth (C)	820
Bowl height (D)	885
Bowl diameter Ø	457

See conditions on page 5

Important : accessory orders that are disconnected from a machine order will be processed by our after-sales department.